



**Product Code**

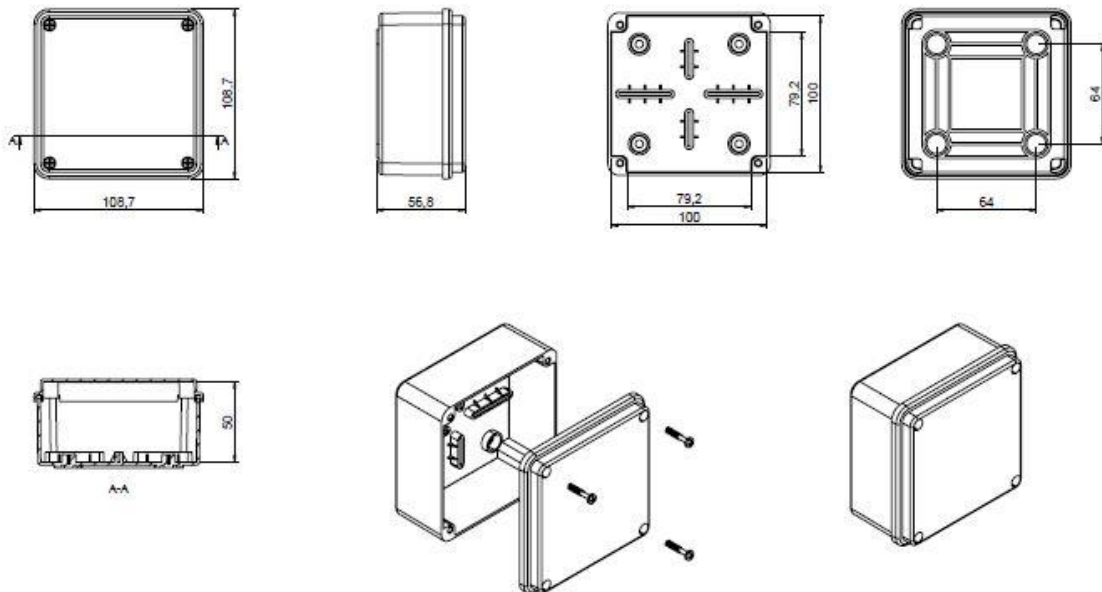
**CP1030**



**IP54 JUNCTION BOX(Blank Sides)**

Material	ABS Thermoplastic Polymer
Colour	Grey(Ral 7035)
IP Rating	IP54
Halogen Free	YES
Ambient Temperature Used	-25+60 °C
Impact Resistance	IK 10
Gasket	Polyurethane
Certificate	EN: 62208
Screw Style	Stainless steel

**Dimensions: 100x100x50mm**



[www.Vinpower.ie](http://www.Vinpower.ie)